



# APPLIED MEASUREMENTS LTD.

## Transducer Specialists...

appmeas.co.uk | info@appmeas.co.uk | +44 (0) 118 981 7339

### wireSENSOR WPS-K100

Robust draw-wire sensors for outdoor applications

- Quick and flexible modifications for OEM purposes
- Durable and robust sensor design (IP69K)
- Compact sensor with large measuring range



**APPROVED  
UK  
DISTRIBUTOR**

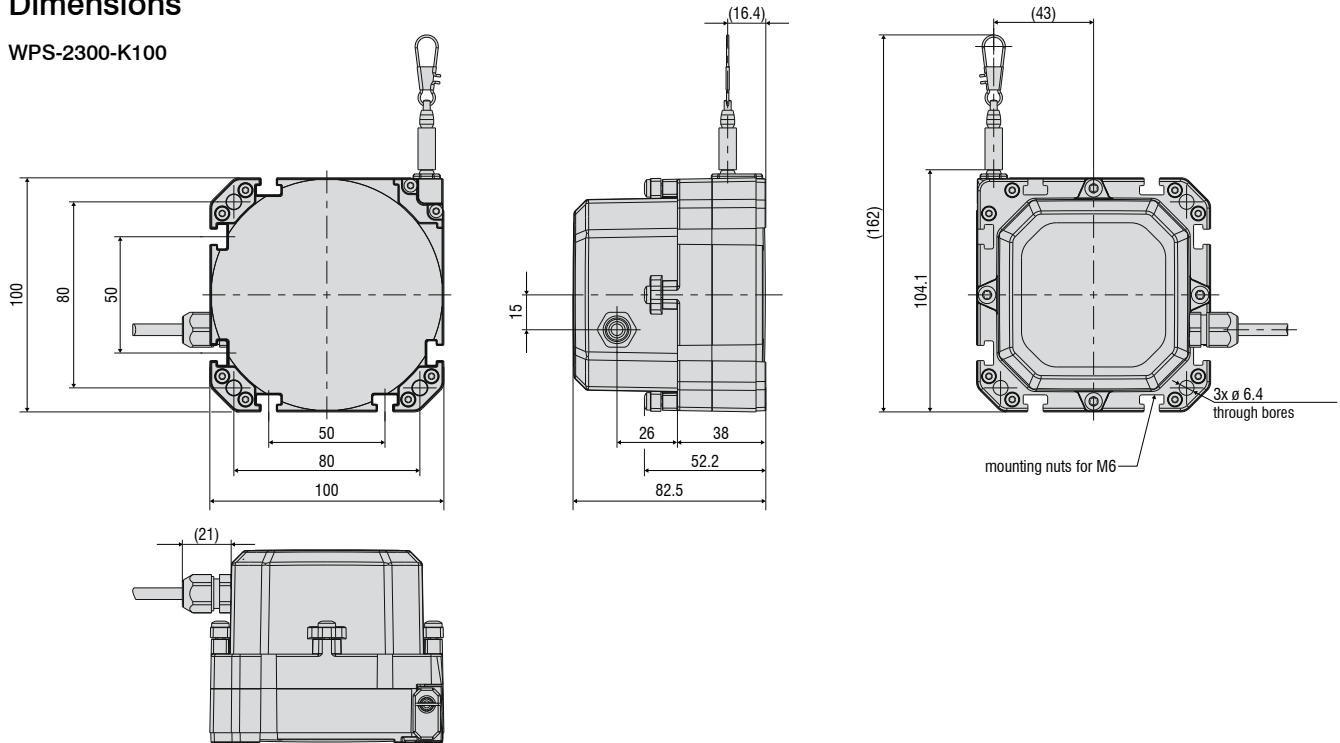


Model	WPS-2300-K100	WPS-5000-K100
Analog output	P / U / I	
Measuring range	2300 mm	5000 mm
Resolution	towards infinity	
Linearity	$\leq \pm 5.75$ mm	$\leq \pm 12.5$ mm
	$\leq \pm 0.25$ % FSO	
Sensor element	potentiometer	
Wire extension force (max)	8 N	
Wire retraction force (min)	2 N	
Wire acceleration (max)	5 g	
Material	Housing	glass-fiber reinforced plastic
	Draw-wire	polyamide-coated stainless steel ( $\varnothing$ 0.61 mm)
Wire mounting	wire clip	
Mounting	through bores $\varnothing$ 6.4 mm and mounting nuts (for M6) on the sensor housing	
Temperature range	Storage	-40 ... +85 °C
	Operation	-40 ... +85 °C
Connection	integrated cable, radial, 1 m long	
Shock (DIN-EN 60068-2-29)	50 g, 20 ms	
Vibration (DIN-EN- 60068-2-26)	20 g, 20 Hz – 2 kHz	
Protection class (ISO 20653)	IP69K	

FSO = Full Scale Output

**Dimensions**

WPS-2300-K100



WPS-5000-K100

